



- ① x 2
- ② x 2
- ③ x 4
- ④ x 1
- ⑤ x 1

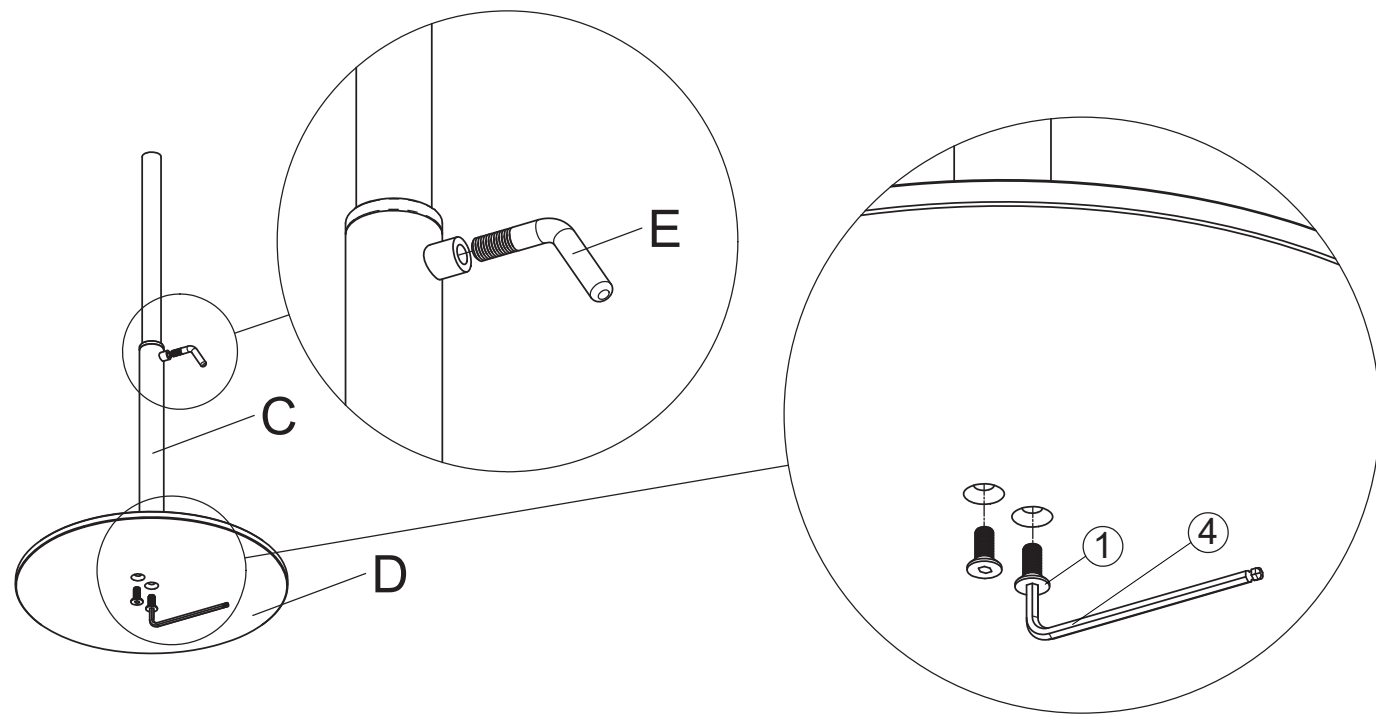
- A x 1
- B x 1
- C x 1
- D x 1
- E x 1



069851

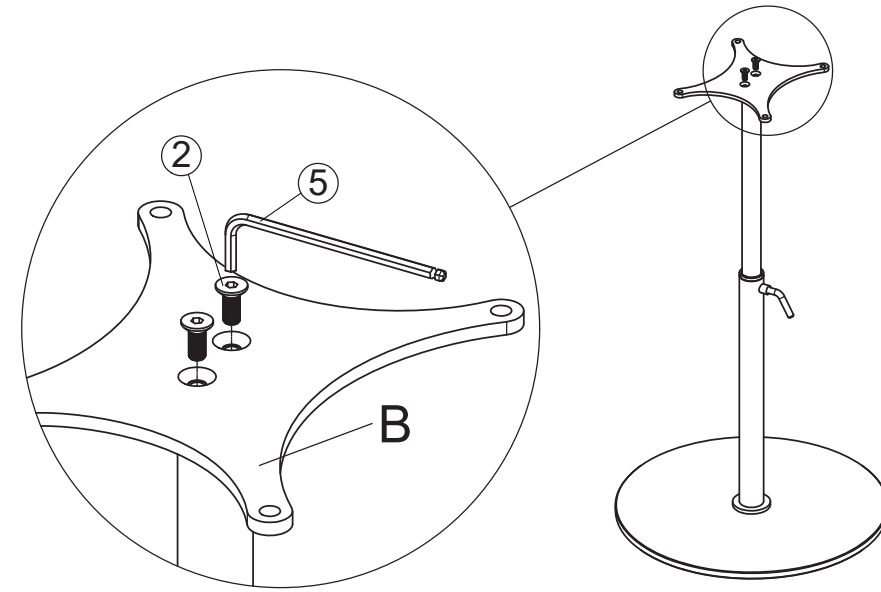
1

① x 2



2

② x 2



3

③ x 4

