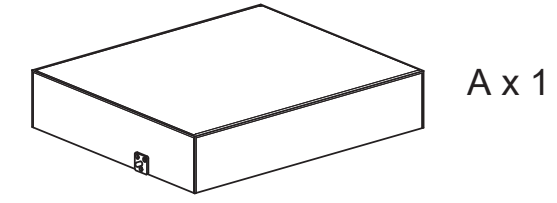


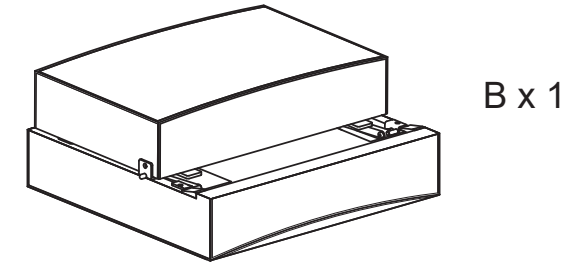


069926-1

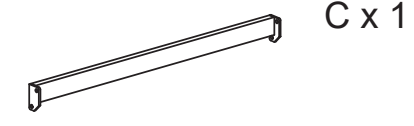
- ① x 4
- ② x 8
- ③ x 4
- ④ x 1
- ⑤ x 1



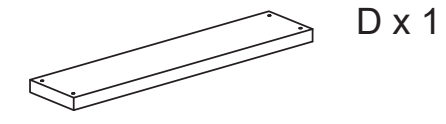
A x 1



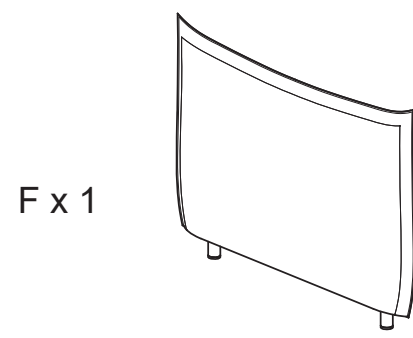
B x 1



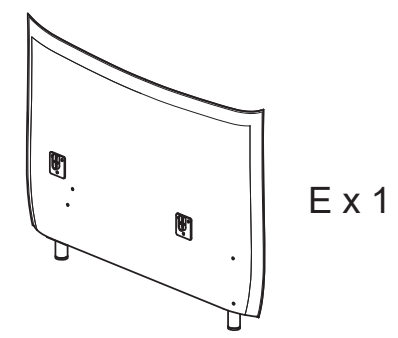
C x 1



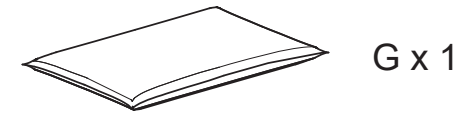
D x 1



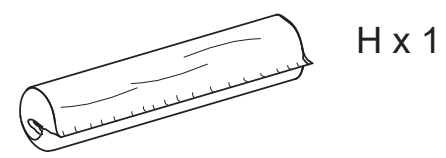
F x 1



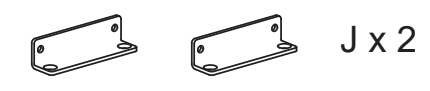
E x 1



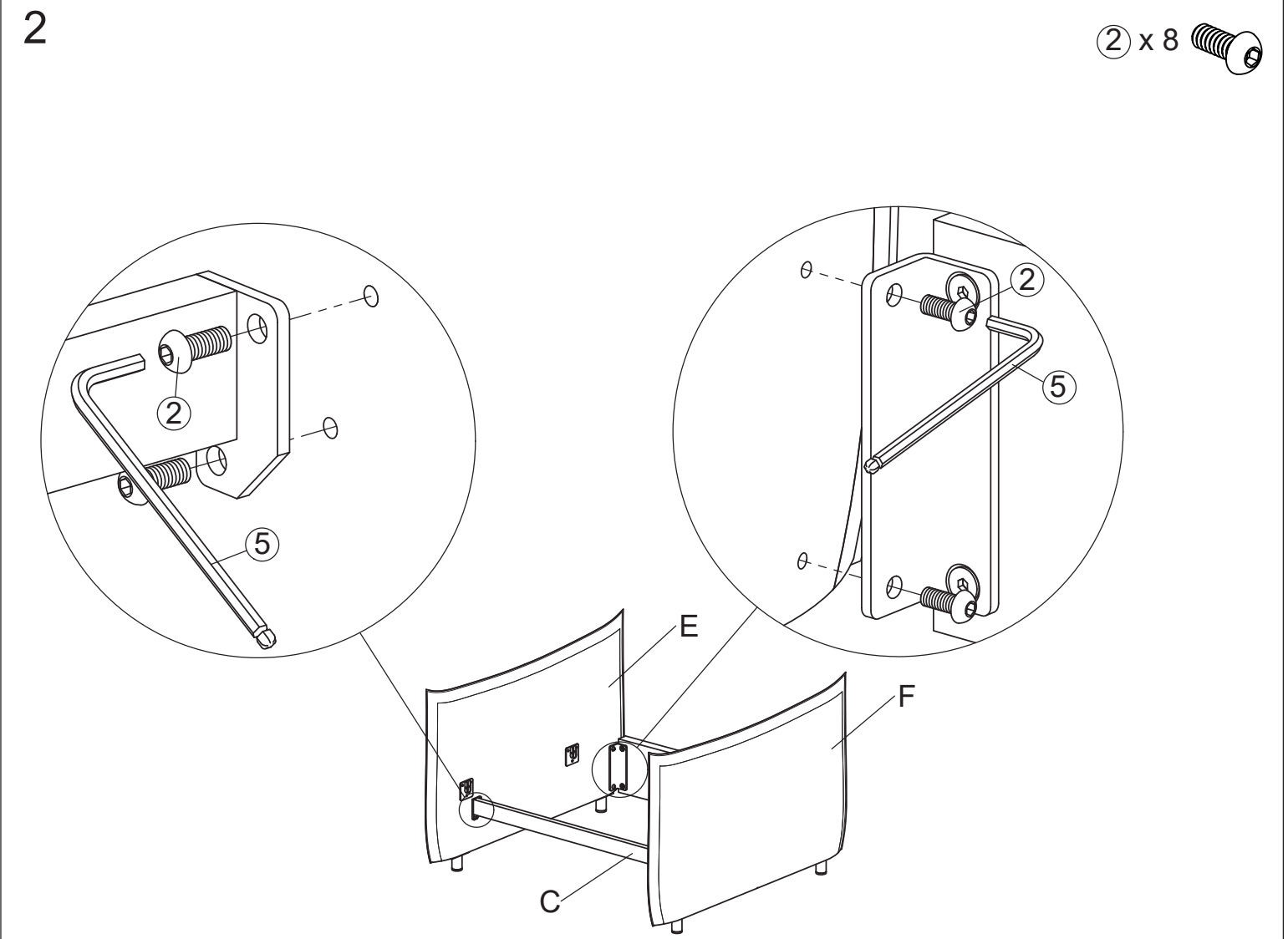
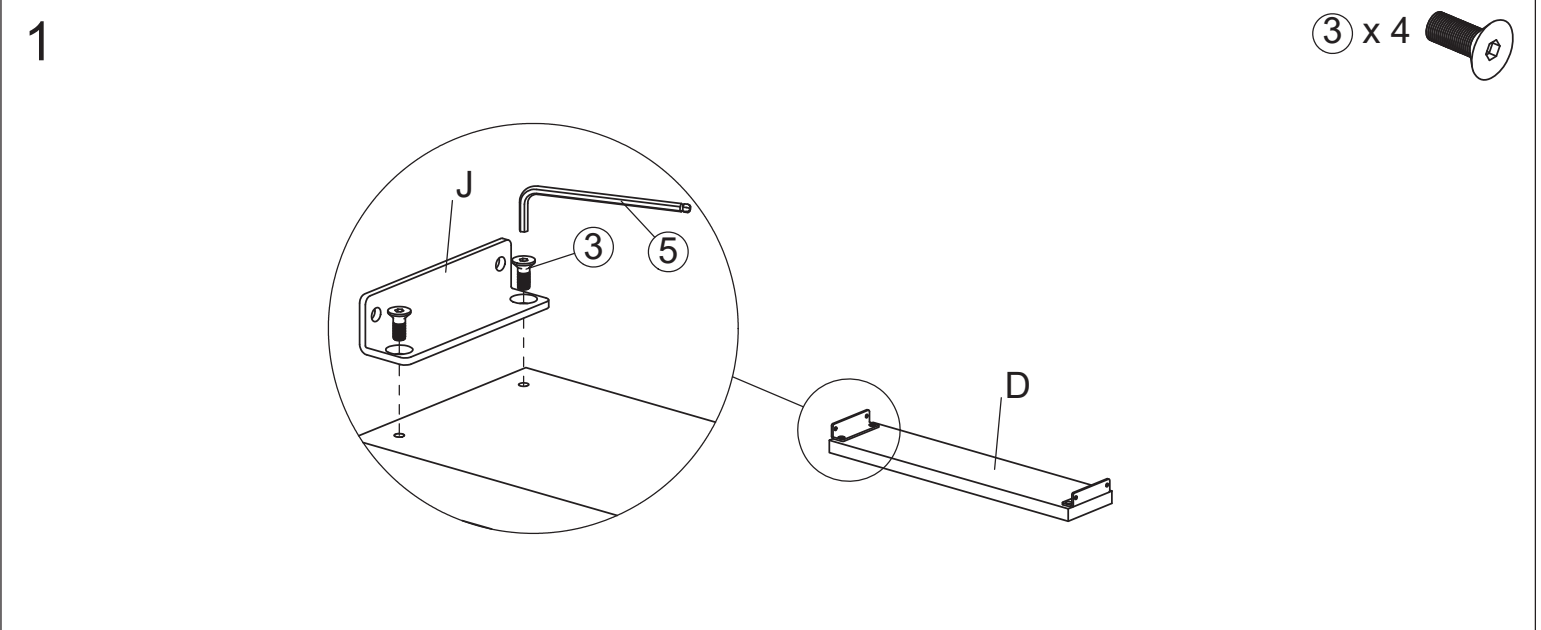
G x 1



H x 1



J x 2

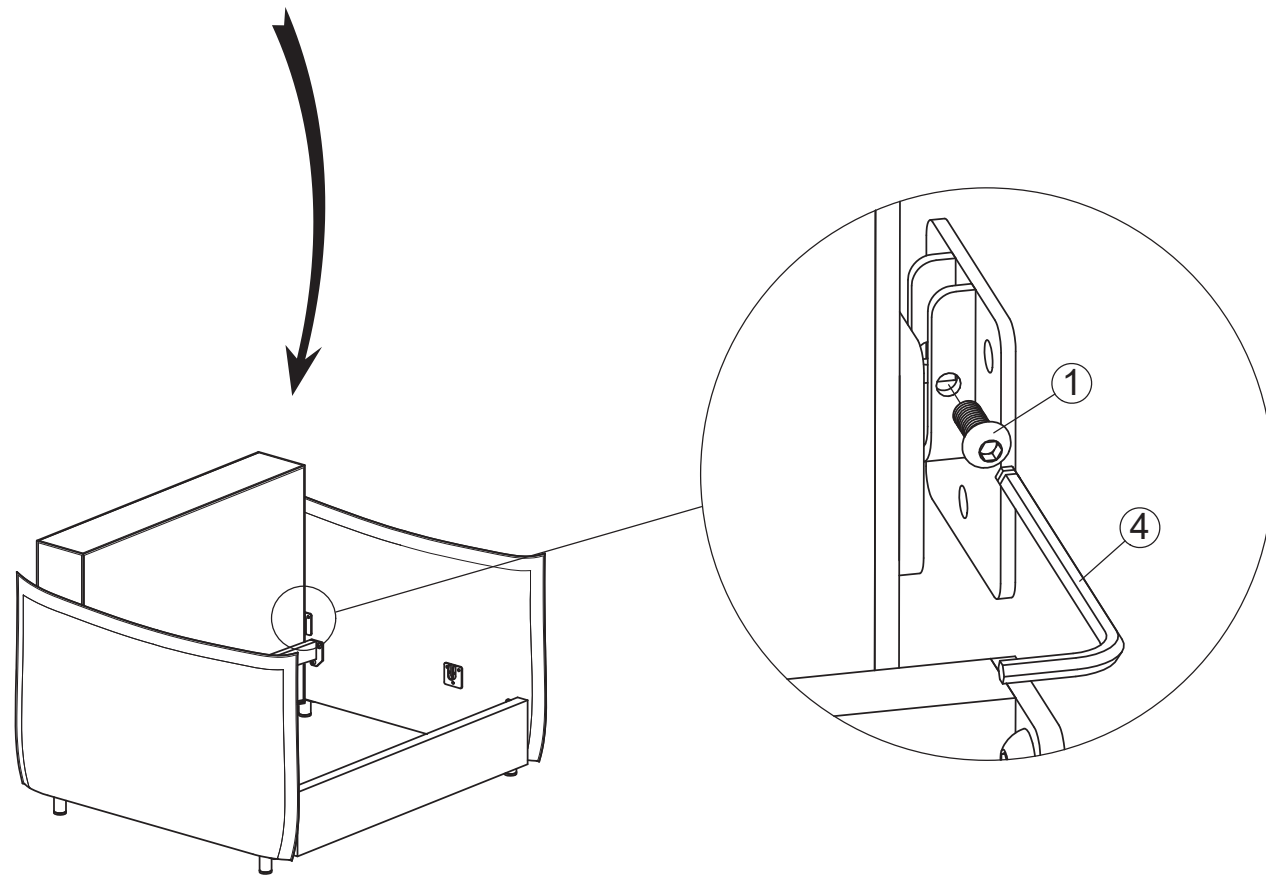
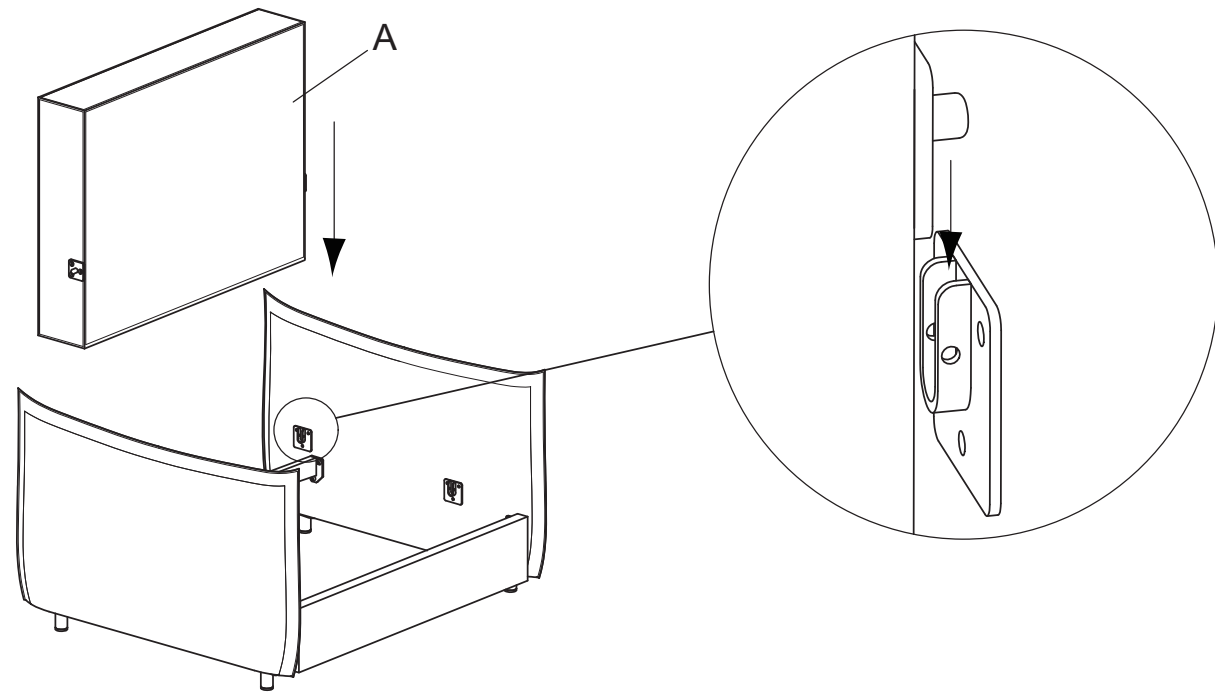


3

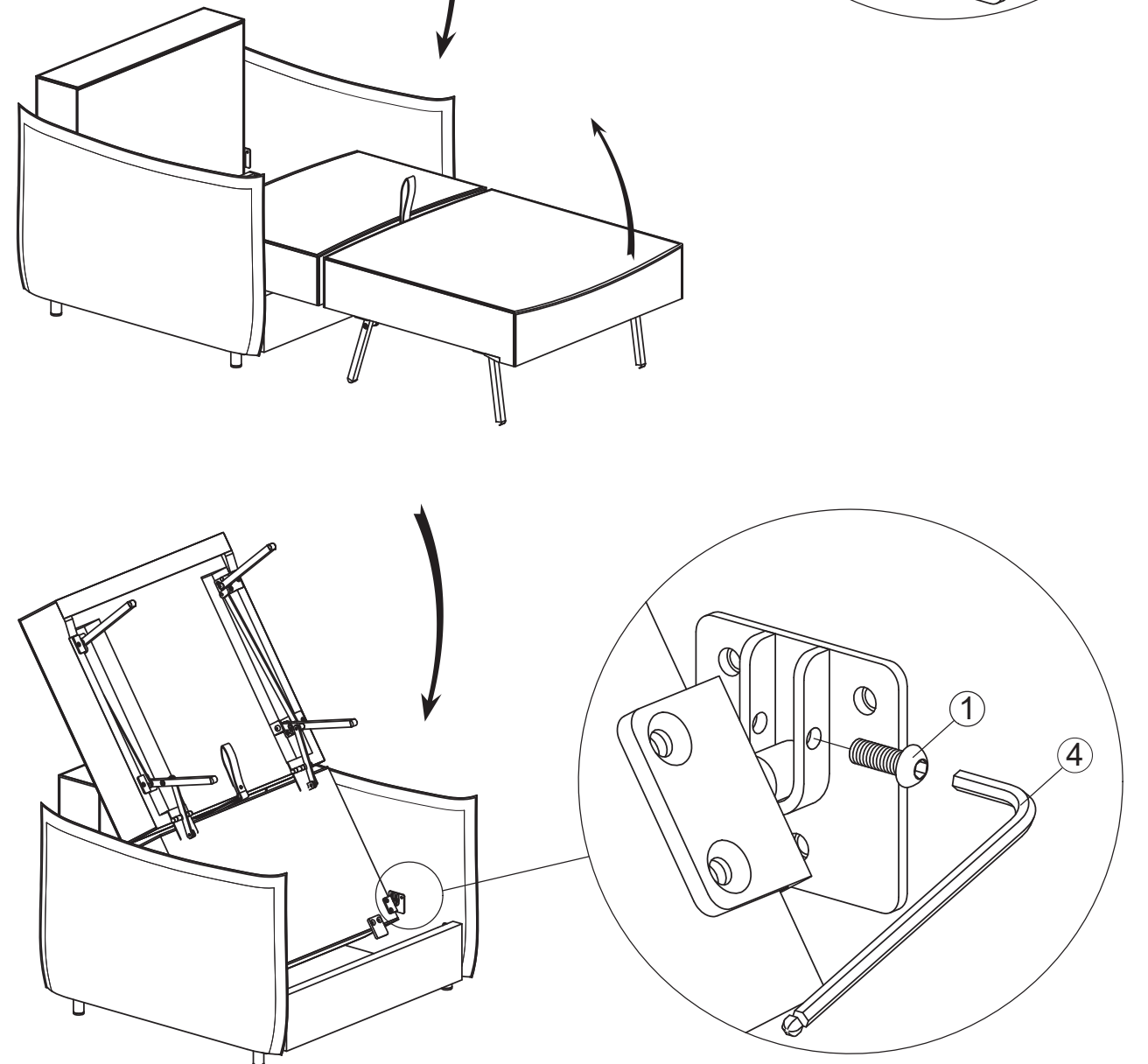
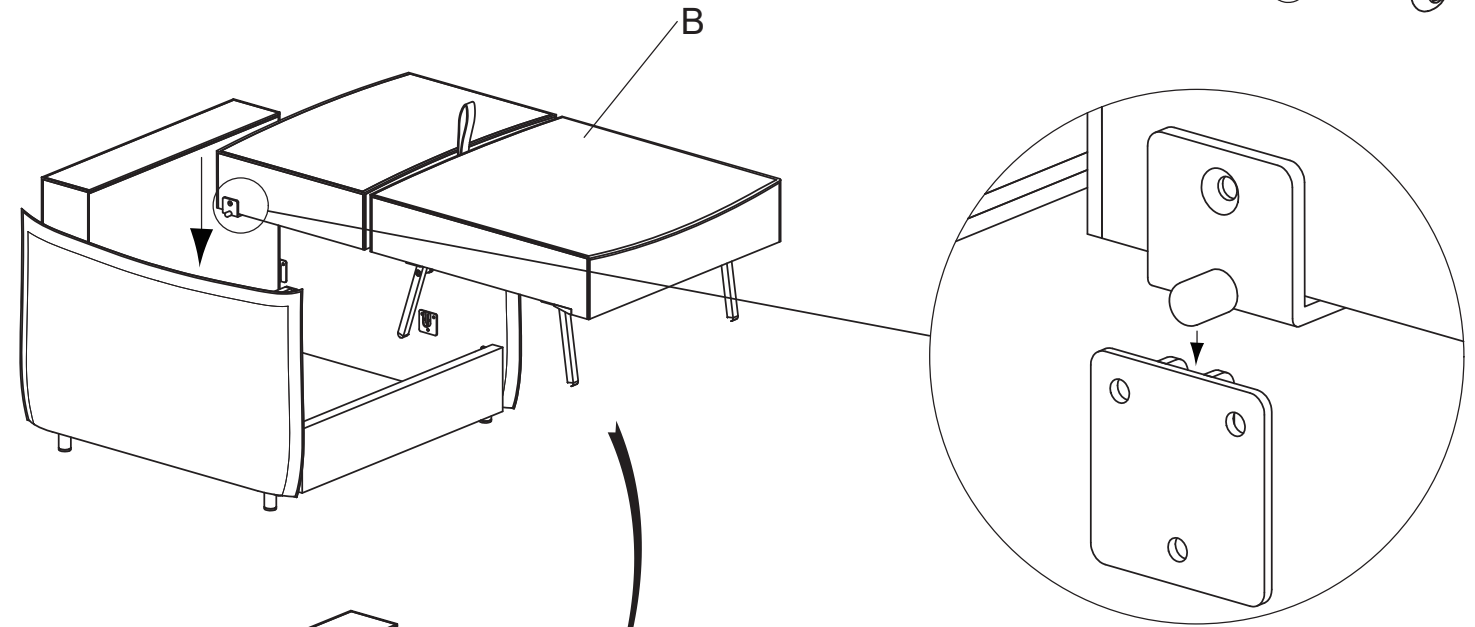
① x 2 

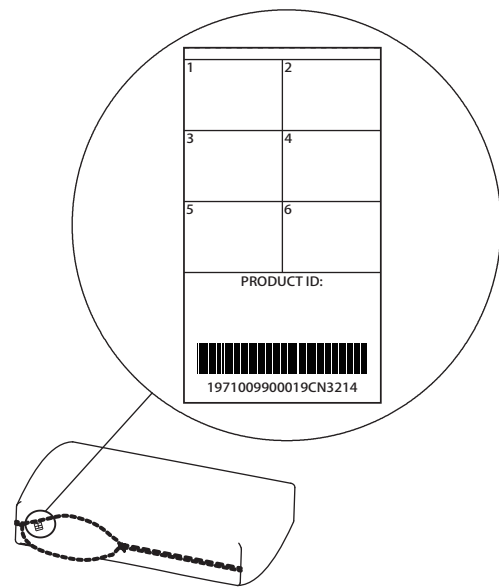
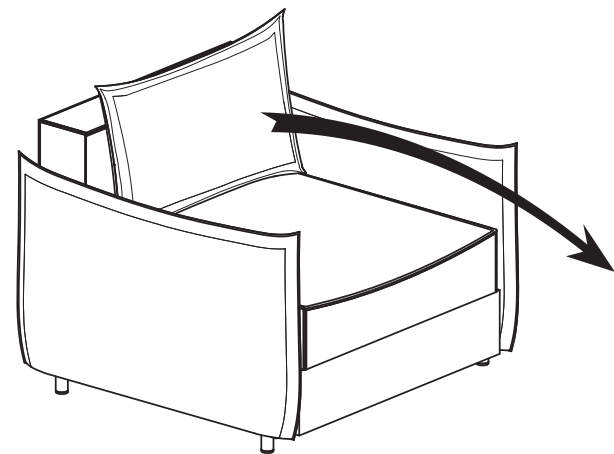
069926-1

① x 2 

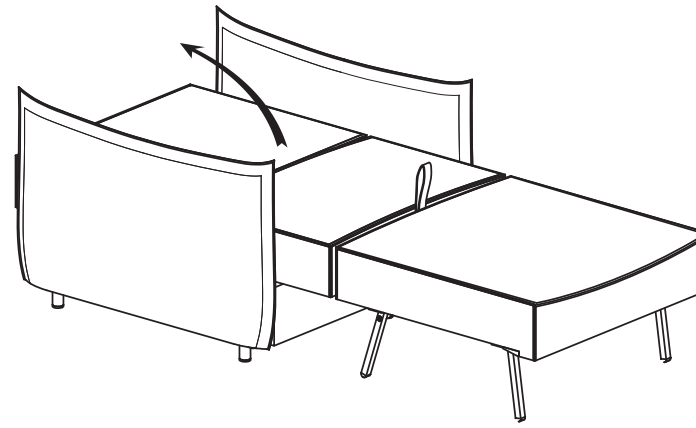


4



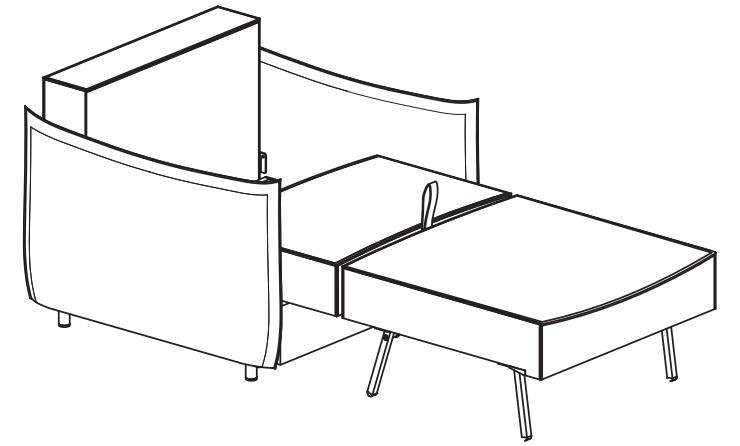


1

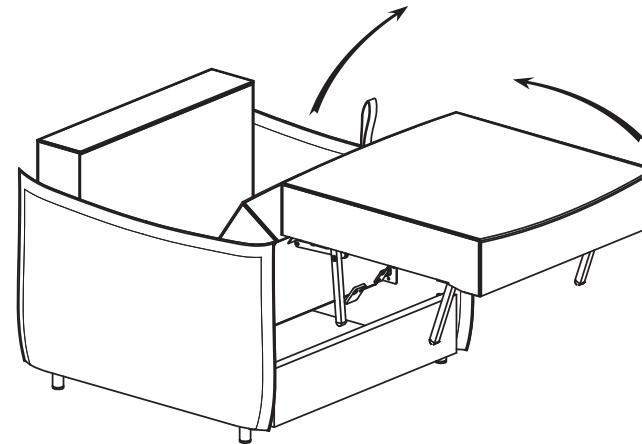


SOVE-SCHLAFEN-SLEEP-DORMIR

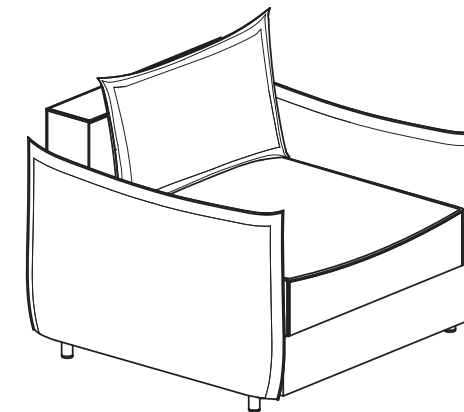
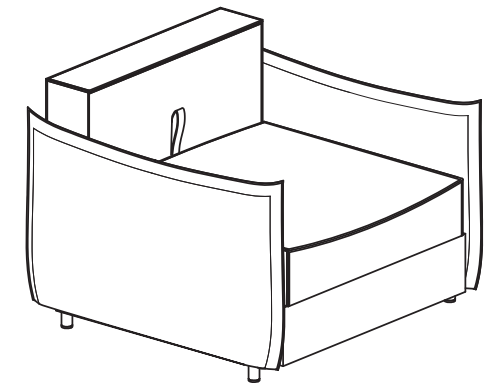
2



3



4



SIDDE-SITZEN-SIT-ASSISE